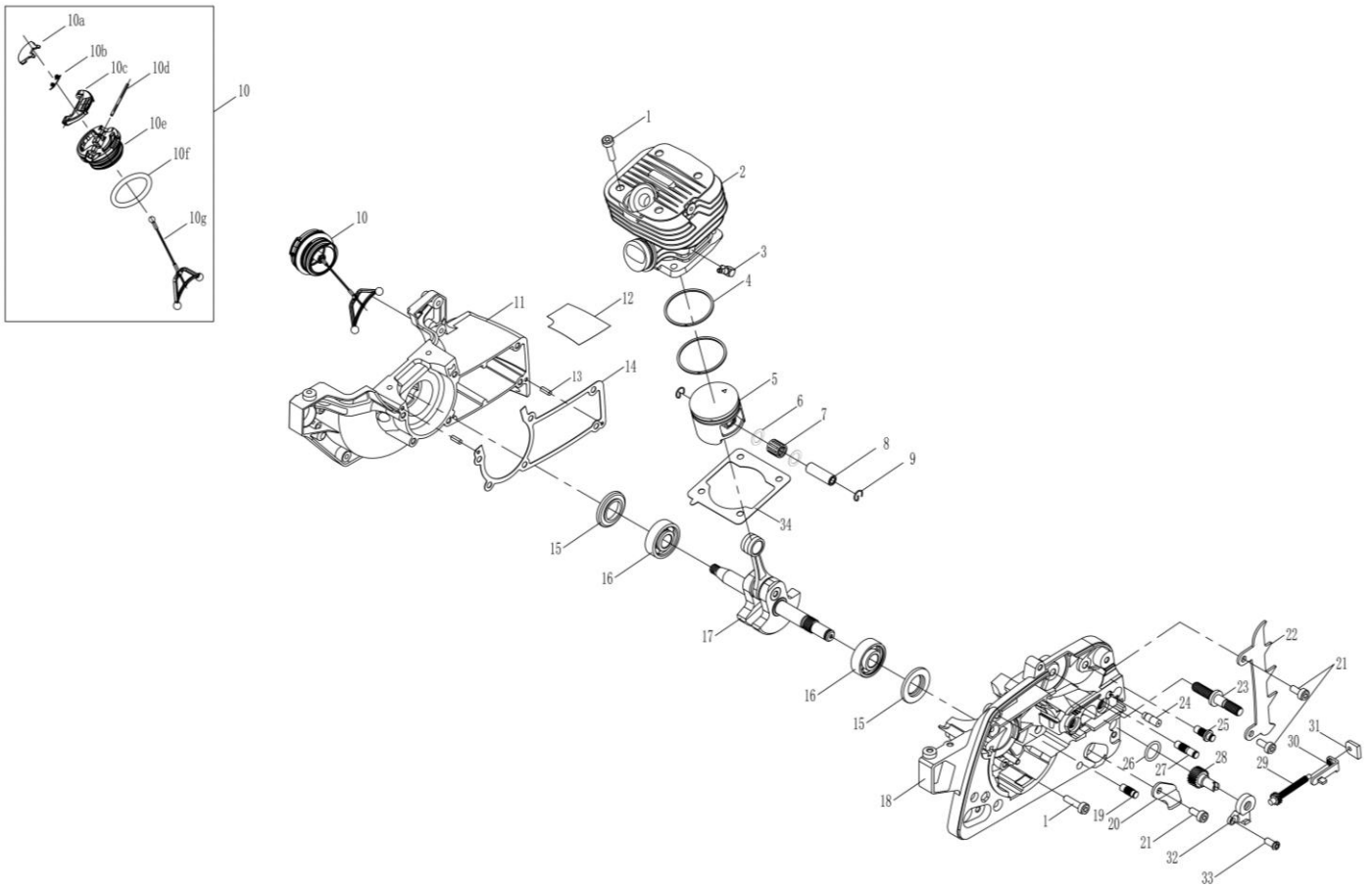


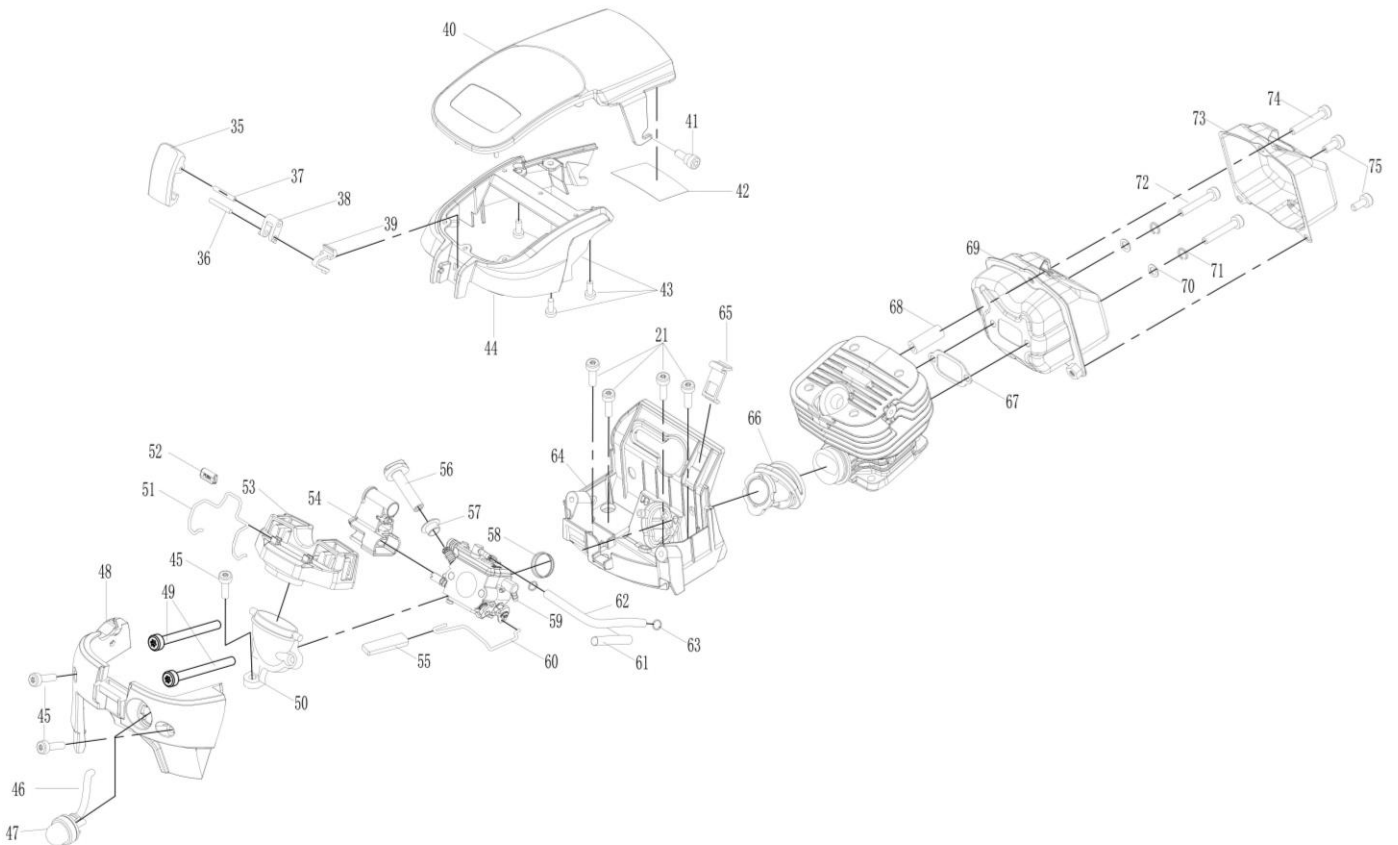
Model Number
Erbauer ECSP41

41cc Chainsaw
Parts Manual

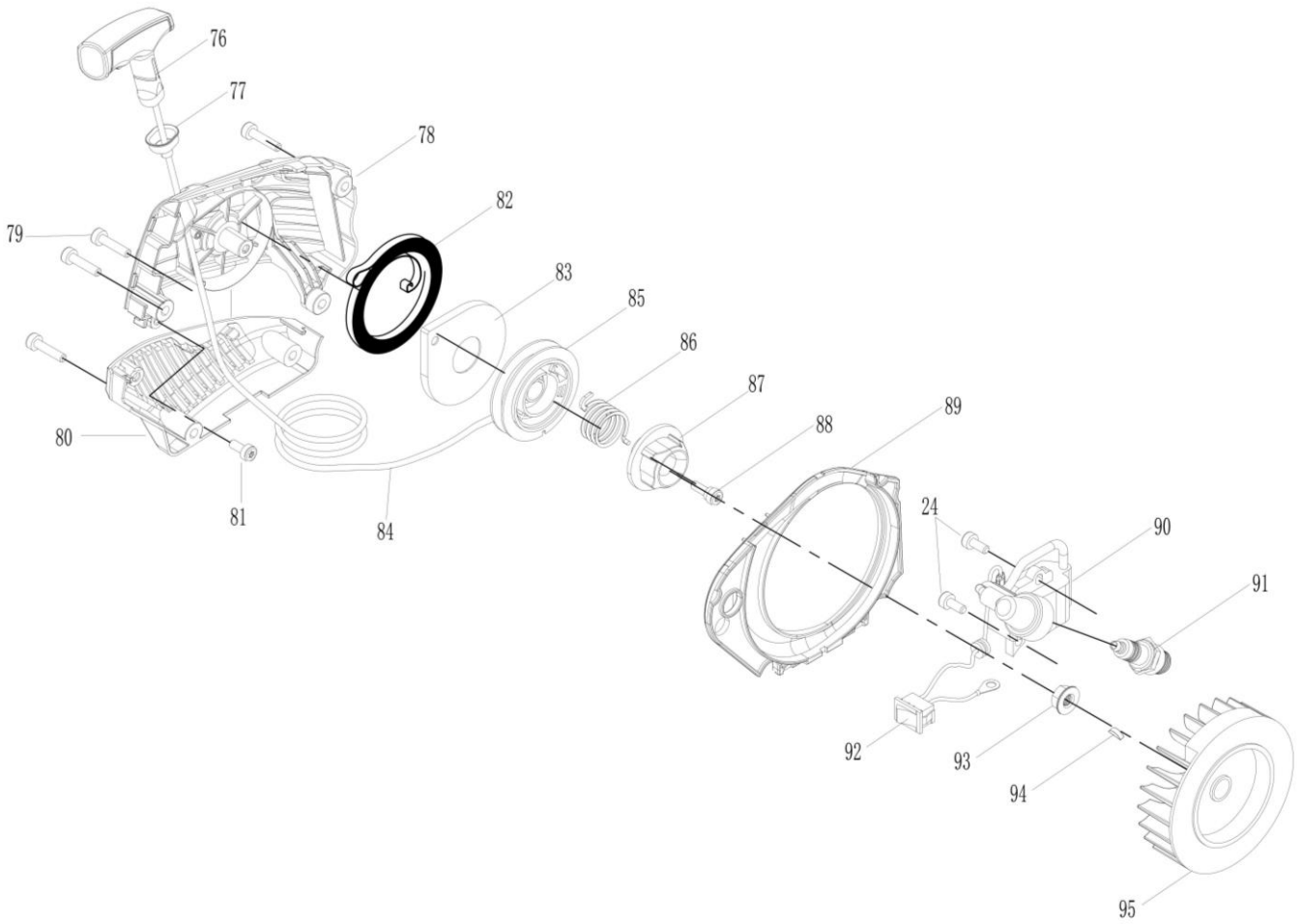
Exploded Diagram 1



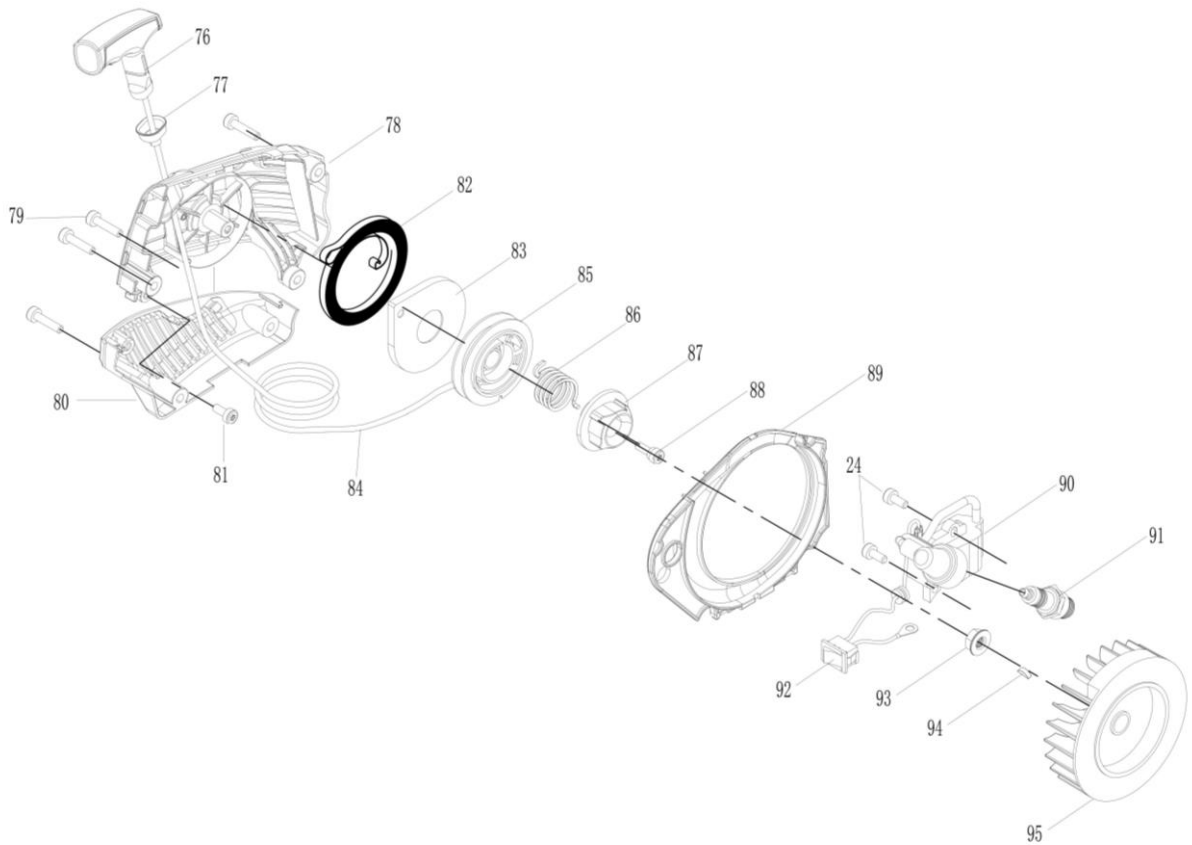
Exploded Diagram 2



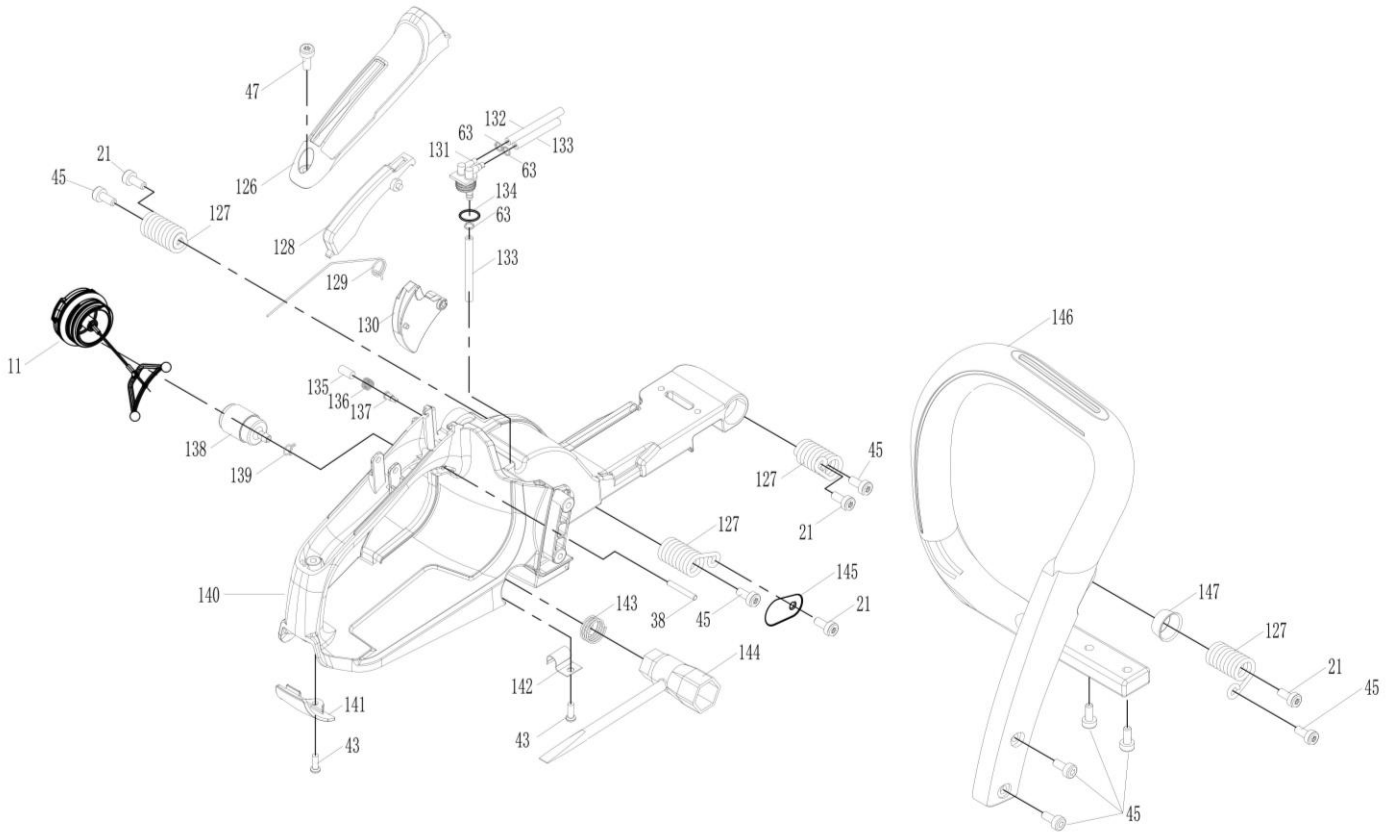
Exploded Diagram 3



Exploded Diagram 4



Exploded Diagram 5



Parts List

I.D.	Apelson code	description	Qty	Drawing No
1	20060868	SCREW M5×20	10	1
2	20070004	CYLINDER	1	1
3	20056209	PRESSURE NOZZLE	1	1
4	20053142	PISTON RING	2	1
5	20053143	PISTON	1	1
6	20062601	NEEDLE BEARING GASKET	2	1
7	20053144	NEEDLE BEARING Ø9×Ø12×12	1	1
8	20053188	PISTON PIN	1	1
9	20053190	CIRCLIP	2	1
10		OIL TANK CAP ASSEMBLY	2	
10a	20082038	PETROL CAP PANEL	2	1
10b	20074083	FUEL CAP TORSION SPRING	2	1
10c	20078618	TILTING ARM	2	1
10d	20073571	FUEL CAP PIN 2X36	2	1
10e	20081182	FLIP OVER FUEL PORT COVER BODY	2	1
10f	20057242	FUEL TANK PORT COVER GASKET	2	1
10g	20056374	ANTI-DROP PLATE	2	1
11	20053177	LEFT CRANKCASE	1	1
12	20057217	CRANKCASE HEAT ISOLATION	1	1
13	20061574	PIN Φ3×10	2	1
14	20050744	CRANKCASE GASKET	1	1
15	20057218	OIL SEALING	2	1
16	20062595	BEARING	2	1

17	20070009	CRANKSHAFT	1	1
18	20053162	RIGHT CRANKCASE	1	1
19	20062591	PIN FOR BRAKE SPRING	1	1
20	20057144	CHAIN CATCHER	1	1
21	20062588	SCREW M5×16	14	1
22	20081499	SPIKED BUMPER	1	1
23	20062584	SUPPORTING BOLT	2	1
24	20057219	VENT NOZZLE	1	1
25	20062592	PIN FOR GEMEL	1	1
26	20055774	O RING 6×2	1	1
27	20062593	PIN FOR FRONT HANDLE GUARD	1	1
28	20062599	TENSIONER GEAR	1	1
29	20062600	TENSIONER SCREW	1	1
30	20057279	TENSIONER BLOCK	1	1
31	20065030	POSITION BLOCK	1	1
32	20065029	GEAR COVER	1	1
33	20054537	SCREW M4×10	1	1
34	20050742	CYLINDER GASKET	1	1
35	20065010	LOCK LEVER	1	2
36	20061582	PIN 3×22	2	2
37	20061583	PIN 3×23	1	2
38	20065012	TRANSFER BAR	1	2
39	20065011	HOOK	1	2
40	20064985	CYLINDER SHIELD	1	2
41	20054604	POSITION SCREW	2	2
42	20057194	TOP HEAT ISOLATION	1	2
43	20054543	TAPPING SCREW ST4.0×10	6	2
44	20081494	CYLINDER SHIELD SUPPORT	1	2
45	20062620	TAPPING SCREW ST4.8×16	12	2
46	20054576	PUMP TUBE 2.5×5×52	1	2
47	20071682	PRIMER BULB	1	2
48	20064993	REAR COVER	1	2
49	20055162	SCREW M4×40	2	2
50	20057150	AIR FILTER BASE	1	2
51	20057151	LOCKING SPRING	1	2
52	20064909	LOCK KNOB	1	2
53	20054602	AIR FILTER	1	2
54	20064991	L/H GUIDER	1	2
55	20057145	THROTTLE KNOB	1	2
56	20064900	CHOKE KNOB	1	2
57	20057147	CHOKE KNOB BASE	1	2
58	20057203	SUPPORT RING	1	2
59	20054913	CARBURETTOR	1	2
60	20057149	THROTTLE ROD	1	2
61	20055760	HEAT ISOLATION TUBE	1	2
62	20054577	PRESSURE TUBE 2.5X6X95	1	2
63	20054663	CIRCLIP7.5×0.6	5	2
64	20055161	CARBURETTOR SUPPORT	1	2
65	20064992	HOT/FREEZE CHANGE SCREEN	1	2

66	20057204	INTAKE PIPE	1	2
67	20050743	MUFFLER GASKET	1	2
68	20054820	SUPPORT TUBE	1	2
69	20070002	MUFFLER	1	2
70	20054561	PLAIN WASHER	2	2
71	20054560	SPRING WASHER	2	2
72	20062614	MUFFLER SCREW	2	2
74	20062597	SCREW M5×40	1	2
75	20060992	SCREW M5×12	4	2
76	20081175	STARTER HANDLE	1	3
77	20054603	EYE RING	1	3
78	20064915	STARTER COVER	1	3
79	20062583	SCREW M5×25	4	3
80	20081497	AIR INTAKE SCREEN	1	3
81	20062619	TAPPING SCREW ST4.8×13	2	3
82	20056498	STARTER SPRING	1	3
83	20056497	COVER STARTER SPRING	1	3
84	20056633	STARTER ROPE 3X920	1	3
85	20057232	REEL	1	3
86	20057234	STARTER TORSION SPRING	1	3
87	20057233	STARTER RATCHET	1	3
88	20062598	STARTER SCREW	1	3
89	20057146	FLOW GUIDING COVER	1	3
90	20050747	IGNITION	1	3
91	20050781	SPARK PLUG, NGK	1	3
92	20050736	SWITCH	1	3
93	20054557	NUT M8×1	1	3
94	20054650	SEMI-CIRCLE KEY	1	3
95	20050746	ROTATOR	1	3
96	20065040	OIL PUMP COVER	1	4
97	20057255	OIL TUBE	1	4
98	20057254	OIL FILTER SPRING	1	4
99	20065041	OIL FILTER	1	4
100	20061563	OIL PUMP PINΦ5X14	1	4
101	20057256	SPRAY NOZZLE	1	4
102	20069986	OIL PUMP	1	4
103	20079930	FRONT HANDLE GUARD FENCE	1	4
104	20064972	FRONT HANDLE GUARD	1	4
105	20054606	RETURN SPRING COVER	1	4
106	20054605	RETURN SPRING	1	4
107	20065031	RETURN SPRING FIXTURE	1	4
108	20057250	GEMEL	1	4
109	20054565	E RING Ø5	2	4
110	20057247	BRAKE SPRING	1	4
111	20061580	POSITION PIN Ø3×8	1	4
112	20057248	BRAKE STRAP	1	4
113	20057208	BUSH FOR WORM	1	4
114	20064908	WORM	1	4
115	20057207	WASHER FOR CLUTCH	1	4

116	20070026	CLUTCH	1	4
118	20054648	SPROCKET	1	4
119	20062590	NEEDLE BEARING 10X14X13	1	4
120	20057210	ANTI-FRICITION WASHER10X30X0.8	1	4
121	20061678	E RING 8	1	4
122	20057283	COVER SEAL SUBPLATE	1	4
123	20057245	BRAKE SPRING COVER	1	4
124		CLUTCH COVER	1	4
124a	20079929	CLUTCH COVER	1	4
124b	20062587	CLUCH COVER NUT	2	4
125	20081502	CHIP DISCHARGE COVER	1	4
126	20081495	REAR HANDLE COVER	1	5
127	20057195	ANTI-VIBRATION SPRING	4	5
128	20065024	THROTTLE TRIGGER LOCK-OUT	1	5
129	20057237	THROTTLE TRIGGER SPRING	1	5
130	20064929	THROTTLE TRIGGER	1	5
131	20065015	PIPE CONNECTION	1	5
132		RETURN TUBE Φ 2.5X Φ 6X135	1	5
133		SUPPLY TUBE Φ 2.5X Φ 6X93	2	5
134	20055773	O RING Φ 10X1.5	1	5
135	20057235	FILTER	1	5
136	20057240	SPRING	1	5
137	20054664	VENT VALVE	1	5
138	20071683	FUEL FILTER	1	5
139	20057266	CLIP Φ 6x Φ 1	1	5
140	20081496	REAR HANDLE	1	5
141	20081500	BOTTOM COVER	1	5
142	20057148	STRAP SPRING	1	5
143	20050731	FIXTURE SPRING	1	5
144	30000049	SPARK PLUG WRENCH	1	5
145	20057202	SHOCK SPRING COVER	1	5
146	20057143	FRONT HANDLE	1	5
147	20057200	SPRING BASE	1	5